

# AD60



**Weight**  
250kg Preassembled  
150kg DIY

## Whats Included

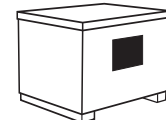
- Cement/clay oven
- Flue
- Steel slab base (preassembled only)
- Steel sub floor
- 1 Pizza paddle
- Refractory brick floor
- 1 Recipe book
- 1 Powder coated oven door
- 1 oven stand (preassembled only)
- Assembly instructions (DIY only)



Oven Dimensions



Delivery Quantity



Box Dimensions

### External dimensions of oven

Length (front to back)	866mm
Width (left to right)	861mm
Oven height (excluding flue)	590mm
Weight (preassembled)	250kg
Weight (DIY)	150kg

### Internal dimensions of oven

Length (front to back)	735mm
Width (left to right)	600mm

### Flue details

Flue height	600mm
Flue diameter	275mm

### Preassembled oven

20ft container load	20 units
40HQ container load	66 units

### DIY kit

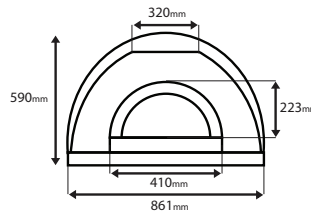
20ft container load	24 units
40HQ container load	66 units

### Preassembled oven

(L) 1020mm x (W) 1150mm x (H) 835mm

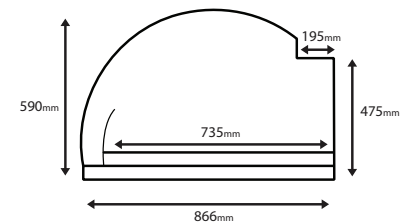
### DIY kit

(L) 866mm x (W) 861mm x (H) 590mm



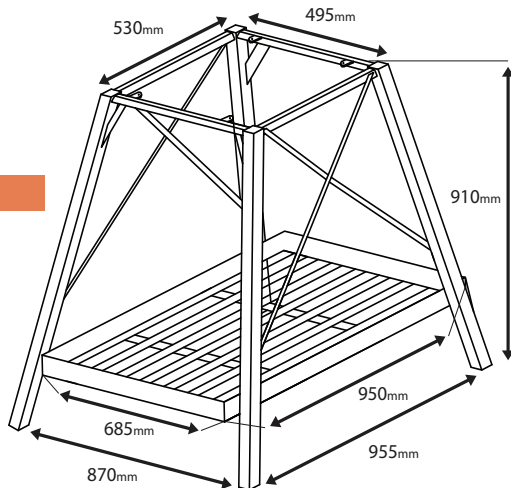
Oven Diagram (Front)

Width	861mm
Height	590mm
Arch Width	410mm
Arch height	223mm
Flue base width	320mm



Oven Diagram (Side)

Length	866mm
Height	590mm
Internal length	735mm
Flue base width	195mm
Front height	475mm



### JO stand (equipped with oven)

Length	955mm
Width	870mm
Height	910mm
Top length	530mm
Top width	495mm
Tray	950mm x 685mm

**Note: this stand is included in the oven price.**

### Round stand (-\$59 from oven price)

Length	1200mm
Width	770mm
Height	855mm
Top width	480mm

Tray  
850mm diameter

**Note: to use this stand, please specify when ordering.**

